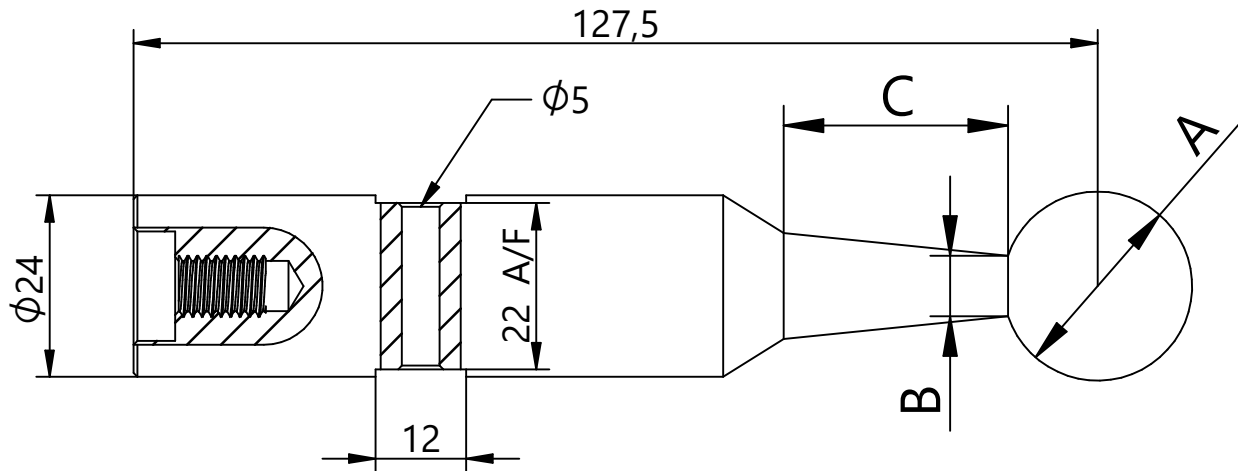


# TN United Kingdom

## Next Generation CMM Datum Sphere



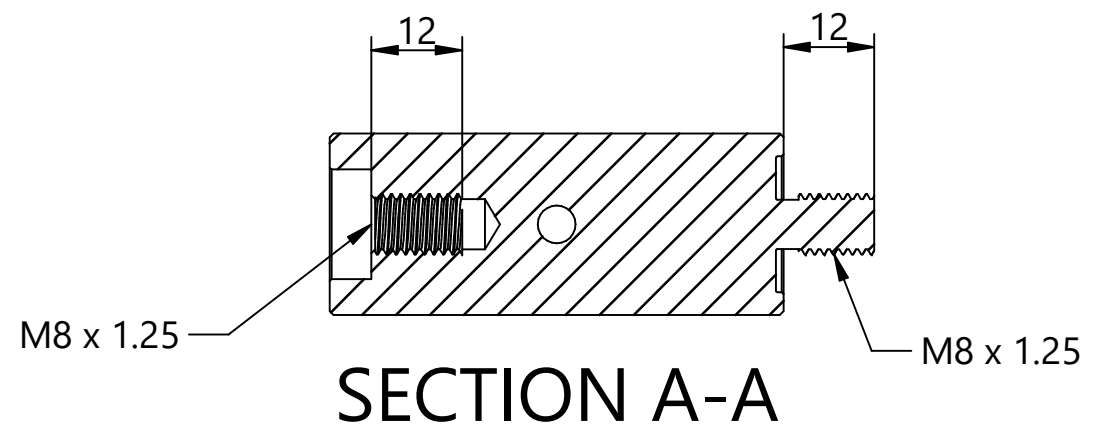
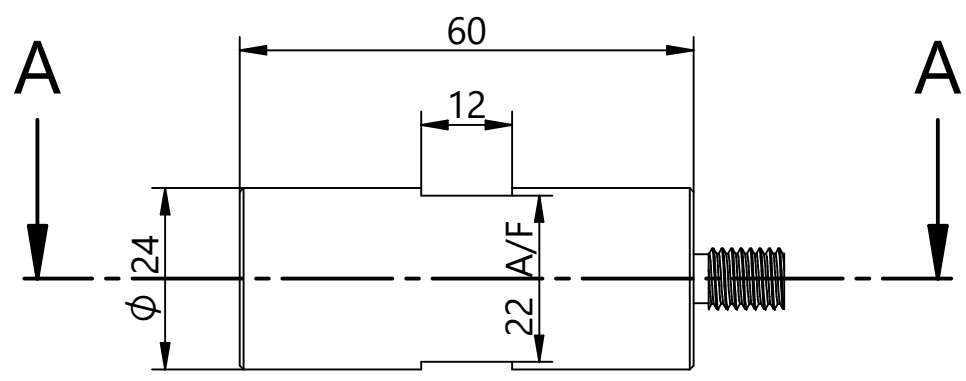
Part Number	A	B	C
NEXTGEN-12.00-___	Ø12.00	Ø6.60	36.50mm
NEXTGEN-15.00-___	Ø15.00	Ø6.95	34.85mm
NEXTGEN-19.00-___	Ø19.00	Ø7.40	32.75mm
NEXTGEN-19.05-___	Ø19.05	Ø7.40	32.70mm
NEXTGEN-20.00-___	Ø20.00	Ø7.50	32.25mm
NEXTGEN-25.00-___	Ø25.00	Ø8.00	29.65mm
NEXTGEN-25.40-___	Ø25.40	Ø8.00	29.50mm
NEXTGEN-30.00-___	Ø30.00	Ø8.50	27.15mm

Please add ball material code:	
NEXTGEN-___-TCB	Tungsten Carbide
NEXTGEN-___-CER	Ceramic / Alumina Oxide Al <sub>2</sub> O <sub>3</sub>
NEXTGEN-___-S40	Stainless Steel 440



3rd ANGLE PROJECTION

DO NOT SCALE



ISSUE	DATE	NO.	REMARKS
	09/11/21	1	New Creation of NextGen

UNLESS OTHERWISE STATED,  
 DIMENSIONS ARE IN mm. GENERAL TOLERANCE IS  $\pm 0.25$ , ANGLES  $\pm 2^\circ$ .  
 SURFACE FINISH 3.2Ra MAX, INTERNAL RADII 0.5 MAX.

ALL COMPONENTS TO BE FREE OF BURRS AND SHARP EDGES.  
 CORNERS BROKEN 0.1 X 45 DEGREES UNLESS OTHERWISE STATED.  
 REMOVE ALL SWARF CHIPS, CLEAN COMPONENTS WITH DEGREASING SOLVENT.  
 PACK TO PREVENT DAMAGE IN TRANSIT.

This drawing is the property of Tsubaki Nakashima and may not be copied or used for any purpose other than that for which it is supplied, without the express written authority of Tsubaki Nakashima.

Approved: \_\_\_\_\_ Date: \_\_\_\_\_ Drawn: A.Fox Date: 09/11/2021



Unit K Downlands Business Park  
 Worthing, West Sussex  
 BN14 9LA, England

Title:  
 Next Generation CMM Extension

Drawing No.  
 REFCMM-EXT-TN-NEXTGEN