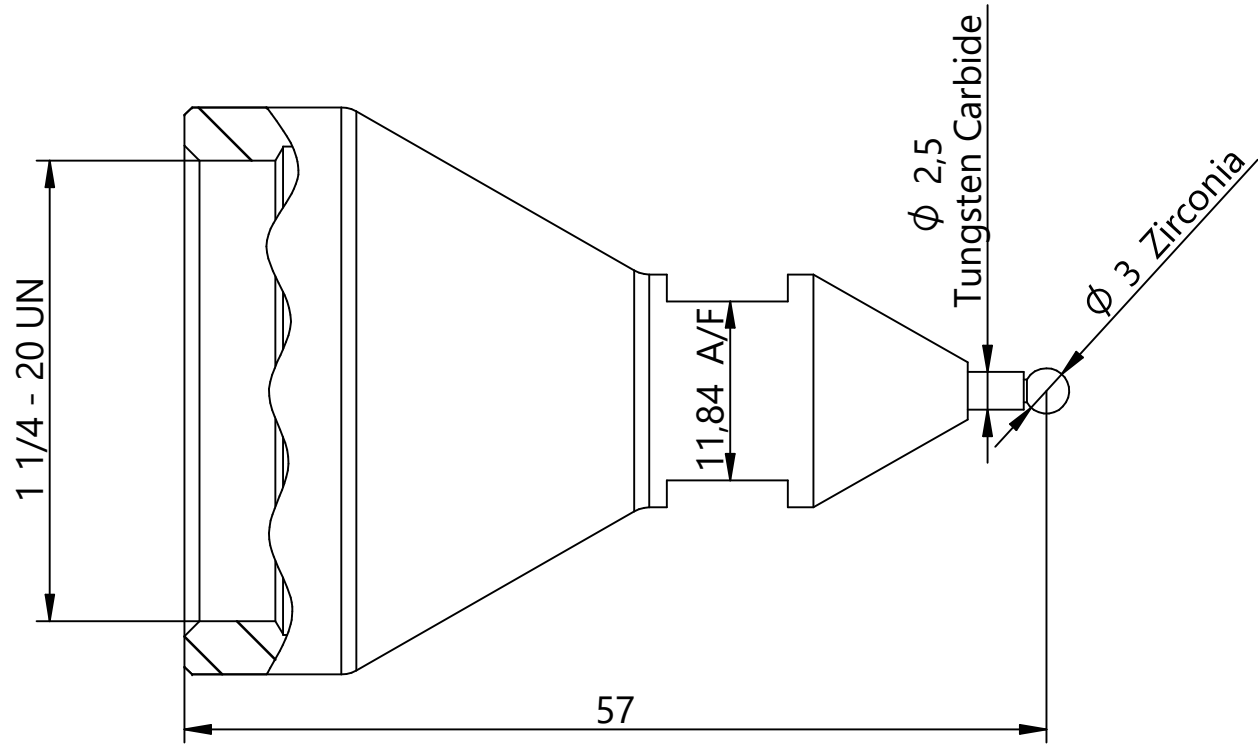


3rd ANGLE PROJECTION

DO NOT SCALE



ISSUE	DATE	NO.	REMARKS
	08/11/21	A	New Creation

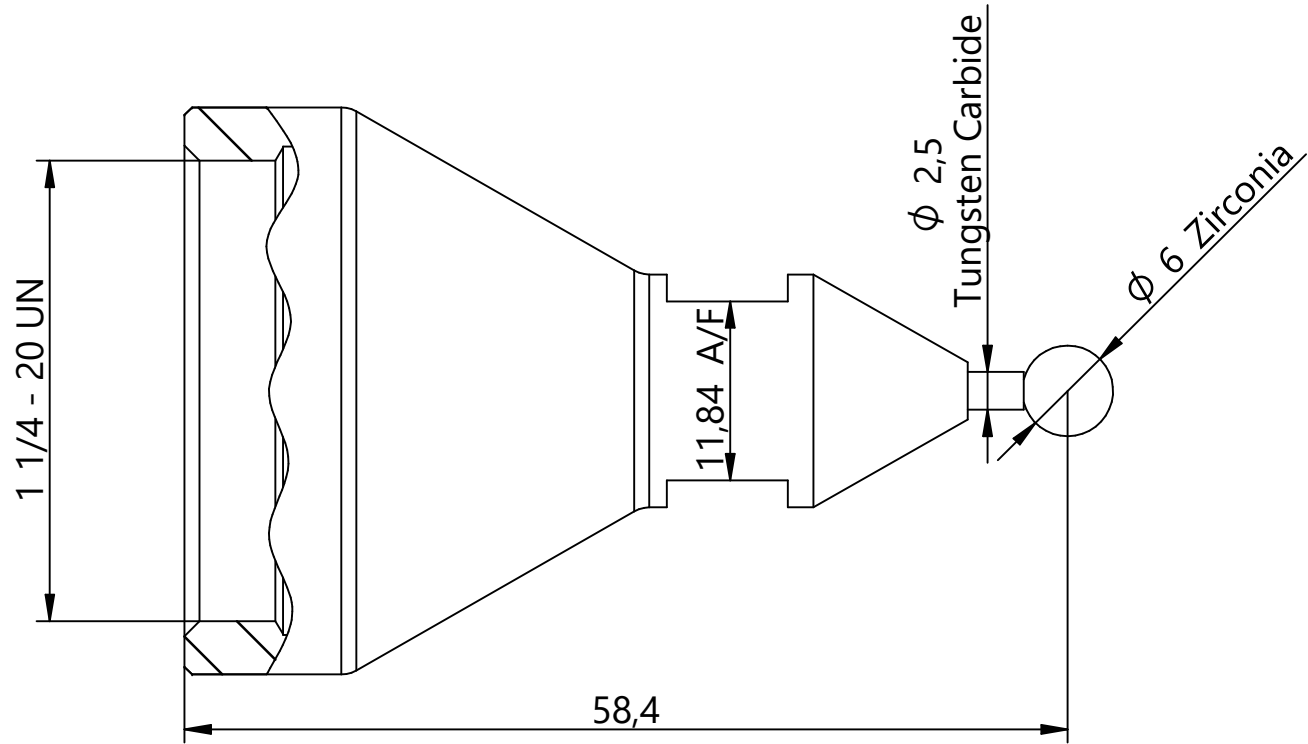
UNLESS OTHERWISE STATED,
 DIMENSIONS ARE IN mm. GENERAL TOLERANCE IS ± 0.25 , ANGLES $\pm 2^\circ$.
 SURFACE FINISH 3.2Ra MAX, INTERNAL RADII 0.5 MAX.

ALL COMPONENTS TO BE FREE OF BURRS AND SHARP EDGES.
 CORNERS BROKEN 0.1 X 45 DEGREES UNLESS OTHERWISE STATED.
 REMOVE ALL SWARF CHIPS, CLEAN COMPONENTS WITH DEGREASING SOLVENT.
 PACK TO PREVENT DAMAGE IN TRANSIT.

This drawing is the property of Tsubaki Nakashima and may not be copied or used for any purpose other than that for which it is supplied, without the express written authority of Tsubaki Nakashima.		Approved:	Date:	Drawn: Adam Fox	Date: 08/11/2021
		Unit K Downlands Business Park Worthing, West Sussex BN14 9LA, England		Title: Ø3 FARO tip assembly	
				Drawing No. PART-FARO-BALLTIP-3MM	

3rd ANGLE PROJECTION

DO NOT SCALE



I S S U E	DATE	NO.	REMARKS
	08/11/21	A	New Creation

UNLESS OTHERWISE STATED,
DIMENSIONS ARE IN mm. GENERAL TOLERANCE IS ±0.25, ANGLES ±2°.
SURFACE FINISH 3.2Ra MAX, INTERNAL RADII 0.5 MAX.

ALL COMPONENTS TO BE FREE OF BURRS AND SHARP EDGES.
CORNERS BROKEN 0.1 X 45 DEGREES UNLESS OTHERWISE STATED.
REMOVE ALL SWARF CHIPS, CLEAN COMPONENTS WITH DEGREASING SOLVENT.
PACK TO PREVENT DAMAGE IN TRANSIT.

This drawing is the property of Tsubaki Nakashima and may not be copied or used for any purpose other than that for which it is supplied, without the express written authority of Tsubaki Nakashima.		Approved:	Date:	Drawn: Adam Fox	Date: 08/11/2021
		Unit K Downlands Business Park Worthing, West Sussex BN14 9LA, England		Title: Ø6 FARO tip assembly	
				Drawing No. PART-FARO-BALLTIP-6MM	